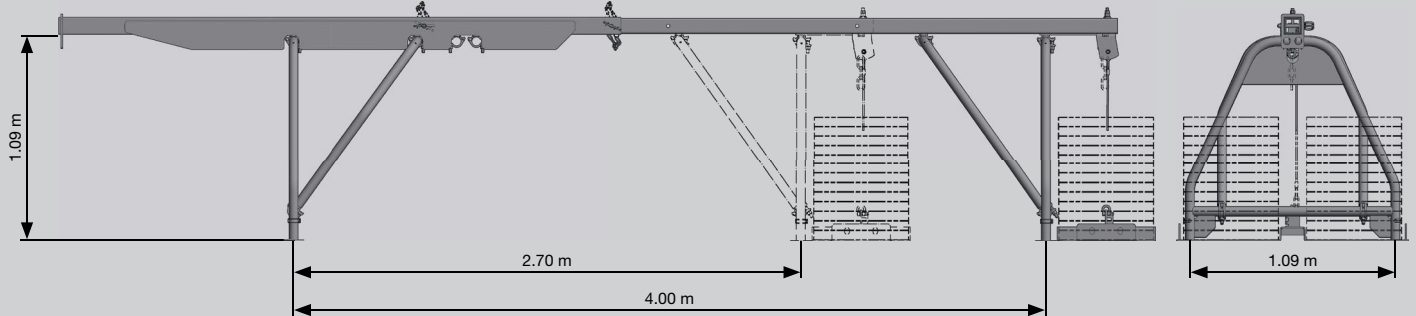


Platform easily installed

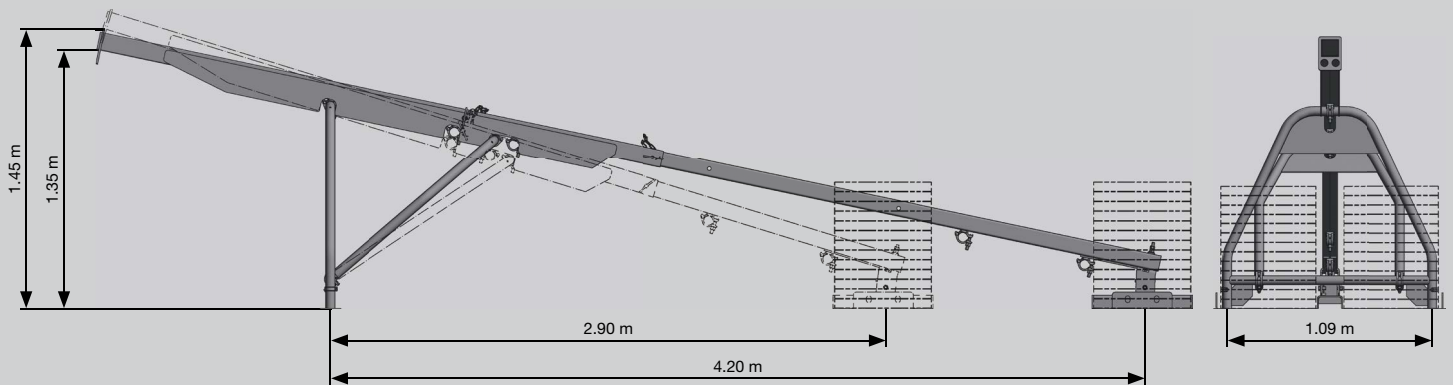
Platform length 3/6 m



- ★ Scaffold-friendly through the use of standard 1½" tubes ★
- ★ Platform parts are easy to assemble and disassemble which makes transportation easy and saves time ★
 - ★ Robust and durable due to full galvanisation ★
- ★ Easy to use due to low weight of platform and outrigger ★
- ★ No losable small parts ★ Outrigger can be used as three-legged or four-legged variants ★



Boom DA 1 (four-legged)

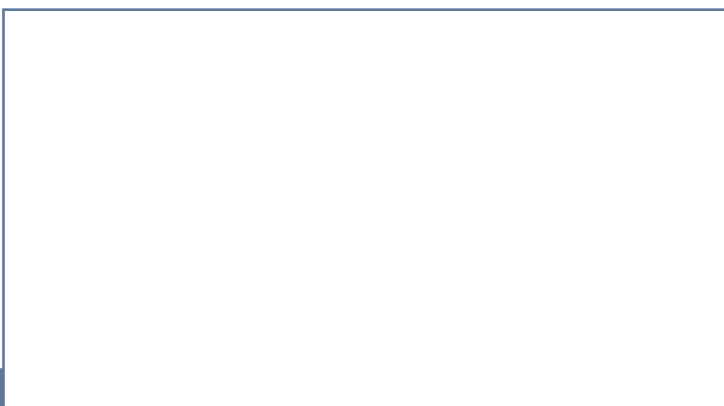


Boom DA 1 (three-legged)

TECHNICAL DATA

Traction force	650 kp
Platform length	3/6 m
Lifting speed	8 m/min
Power supply	1.4 kW/400 V/50 Hz/16 A
Control voltage	48 VAC

Your GEDA-dealer:



**GEDA-Dechentreiter
GmbH & Co. KG**

Mertinger Straße 60
86663 Asbach-Bäumenheim
Phone +49 (0) 906 9809-0
Fax +49 (0) 906 9809-50
info@geda.de
www.geda.de