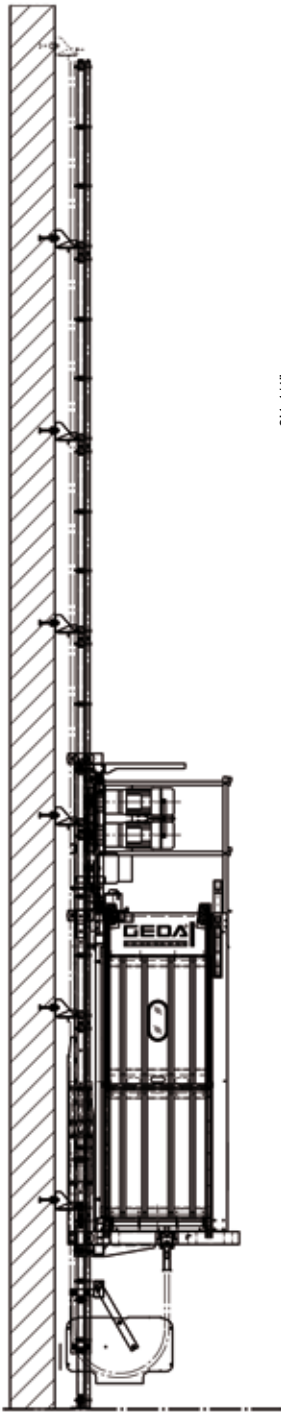


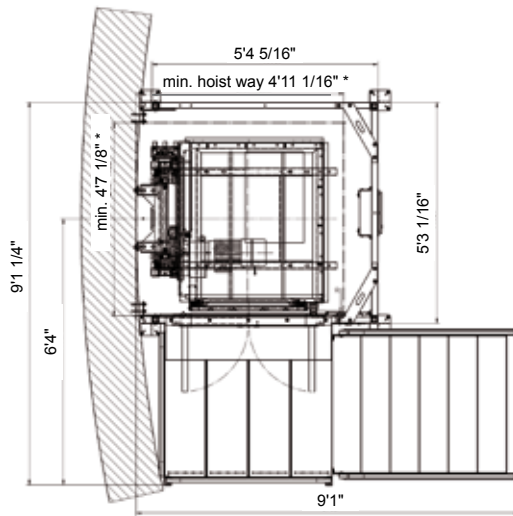
SH 1000-US

TECHNICAL DATA

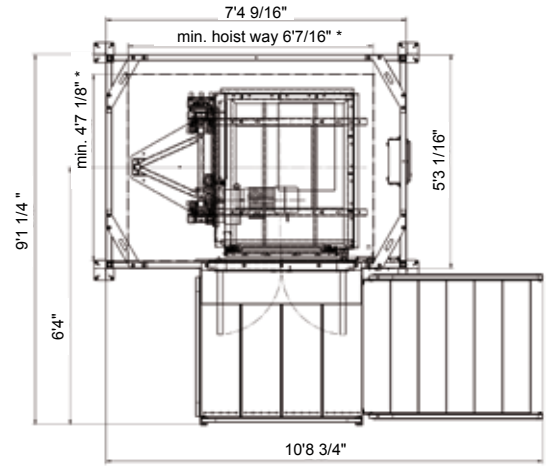
Max. load capacity	1000 lbs - 5 persons
Lifting speed	130 ft/min
Max. lifting height	656'
Car dimension (W x L x H)	2'10 7/16" x 3'8 1/8" x 7'
Car door dimension (W x H)	2'5 1/2" x 6'6 3/4"
Power supply	480 V / 3 PH / 60 Hz



Guide rail

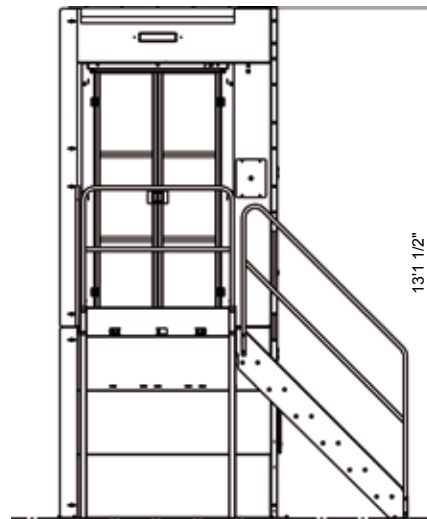


Triangular tower

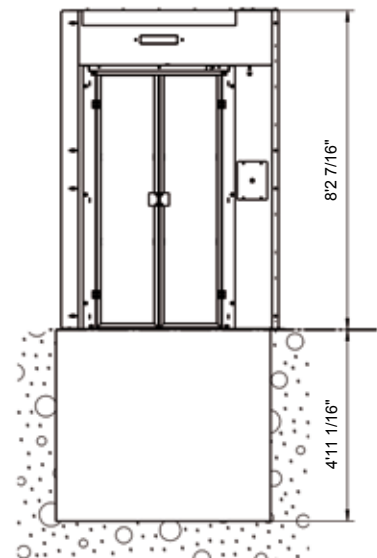


* Hoist way

Base enclosure with platform and stairs



Pit

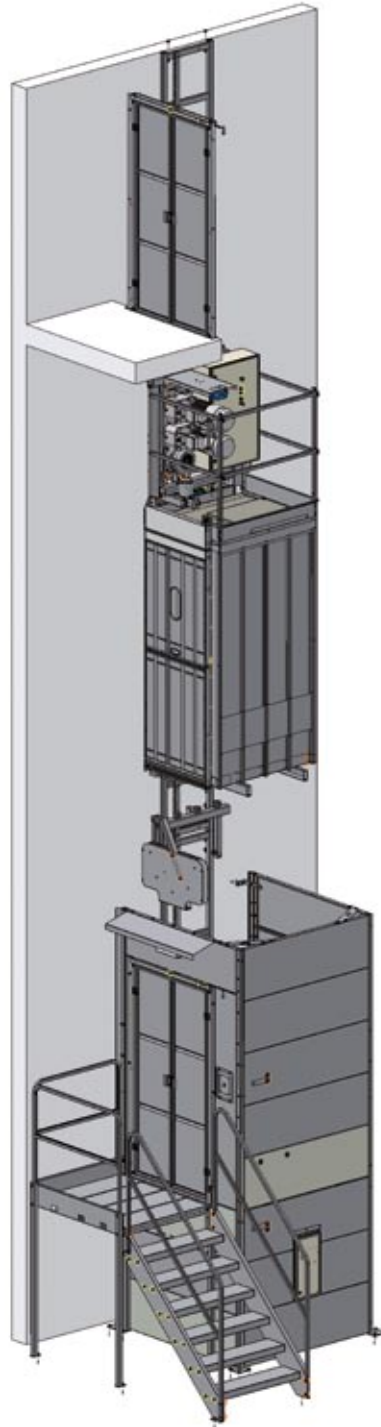


Changes / Errors excepted

GEDA USA, LLC
8777 Tallyho, Bldg. # 4
Houston, Texas 77061
Phone: 713-621-7272
Fax: 713-621-7279
Email: herb.calles@gedausa.com



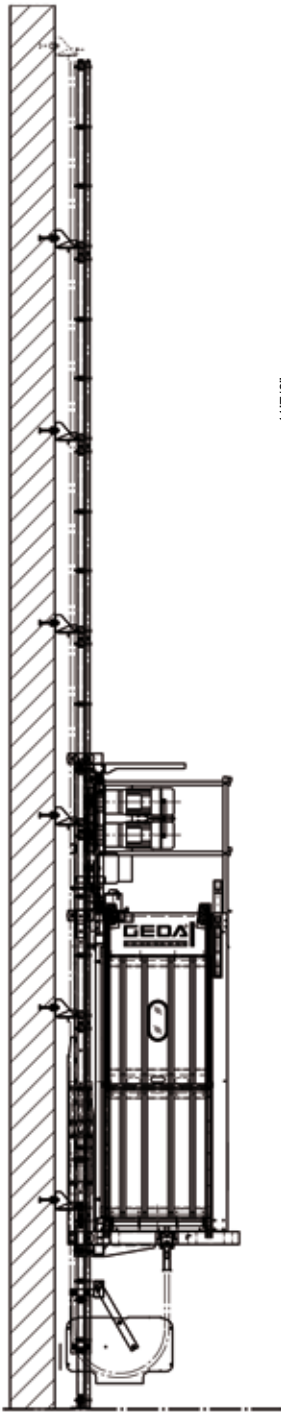
www.gedausa.com



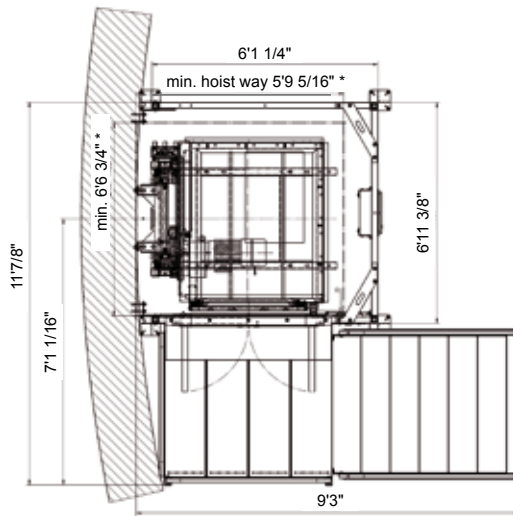
SH 2200-US

TECHNICAL DATA

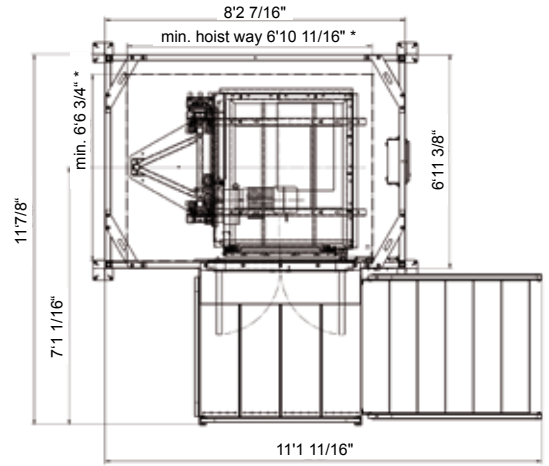
Max. load capacity	2200 lbs - 11 persons
Lifting speed	130 ft/min
Max. lifting height	656'
Car dimension (W x L x H)	3'7 5/16" x 5'6 1/8" x 7'
Car door dimension (W x H)	3'3 3/8" x 6'6 3/4"
Power supply	480 VAC / 60 Hz / 3 ph



Guide rail

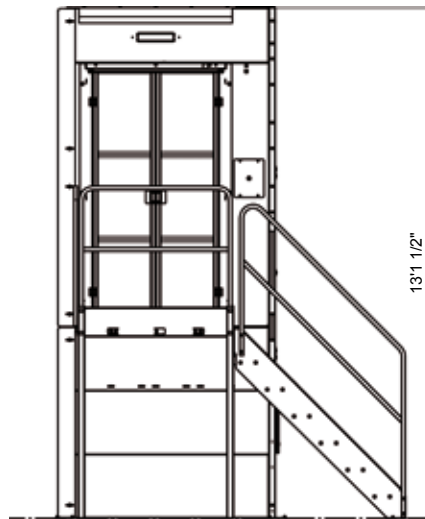


Triangular tower

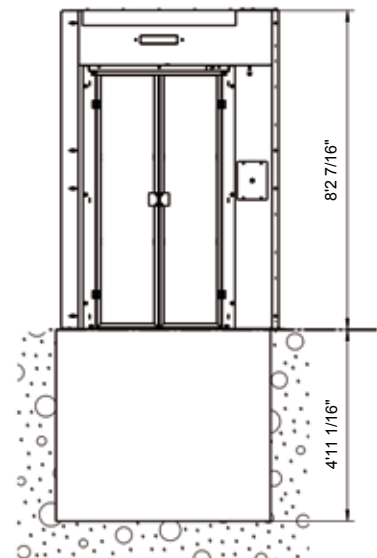


* Hoist way

Base enclosure with platform and stairs



Pit



Changes / Errors excepted

GEDA USA, LLC
 8777 Tallyho, Bldg. # 4
 Houston, Texas 77061
 Phone: 713-621-7272
 Fax: 713-621-7279
 Email: herb.calles@gedausa.com

